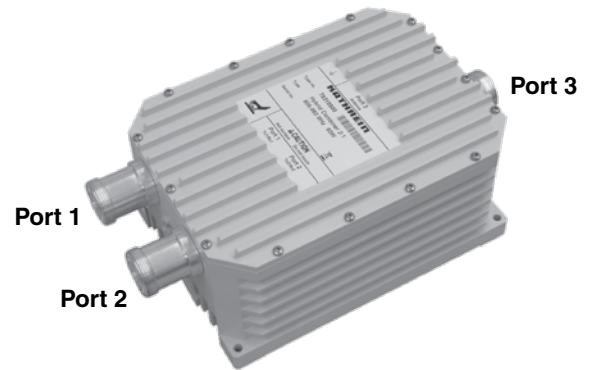


- Designed for the decoupled combining of two transmitter or receiver signals onto one common antenna.
- The frequency spacing between transmitter signals can be as small as required.
- Excellent intermodulation performance.
- Suitable for indoor or outdoor applications.
- Wall or mast mounting.
- DC by-pass between all ports.
- External DC stop available as an accessory.



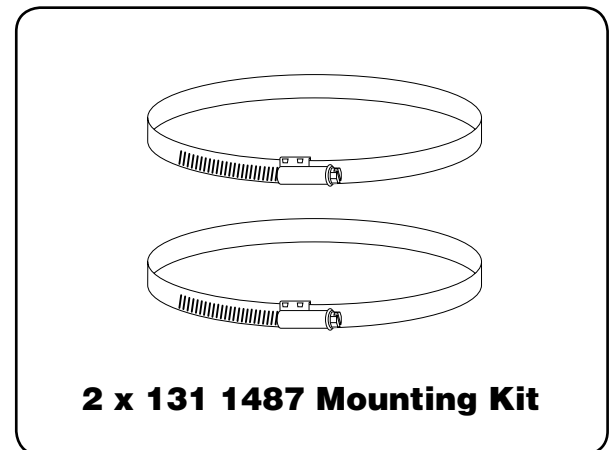
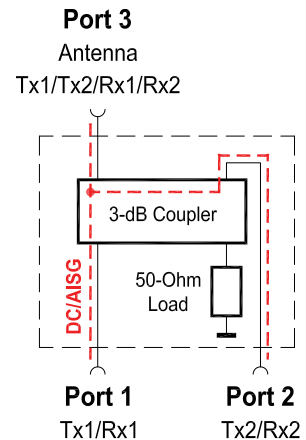
Specifications:

Frequency range	1710–2170 MHz
Impedance	50 ohms
VSWR (all ports)	< 1.25:1
Attenuation	
Port 1↔ Port 3	3.1±0.5 dB
Port 2↔ Port 3	3.1±0.5 dB
Port 1↔ Port 2	>22 dB*
Intermodulation (2x20w)	IM3: <-160 dBc
Input power	
Port 1	< 60 watts
Port 2	< 60 watts
Operating temperature	-40° to +55° C
Connector	7-16 DIN female (long neck)
DC/AISG transparency	By-pass between all ports (max. 2500 mA) AISG attenuation: 3 dB with external DC stop (see configuration examples) / 6 dB without external DC stop
Application	Indoor or outdoor (IP 66)
Weight	8.2 lb (3.7 kg)
Dimensions	7.8 x 5.7 x 3.9 inches (199 x 144 x 98 mm)
Shipping dimensions	14.8 x 9.1 x 7.4 inches (377 x 232 x 189 mm)
Mounting	Mounts to a flat surface with 4 screws (max. 6.5 mm diameter)
	Optional mounting Kit for 2 to 5.7 inch (50 to 145 mm) OD mast is available.

* Valid if all ports are terminated with 50 ohm loads

Max. input power per port

	Mounted horizontally	Mounted vertically
Max. ambient temperature		
+55 °C	60 W	70 W
+40 °C	70 W	80 W
+25 °C	75 W	85 W



Order Information:

Model	Description
782 10502	Hybrid combiner with 7-16 DIN connectors

Mounting Options:

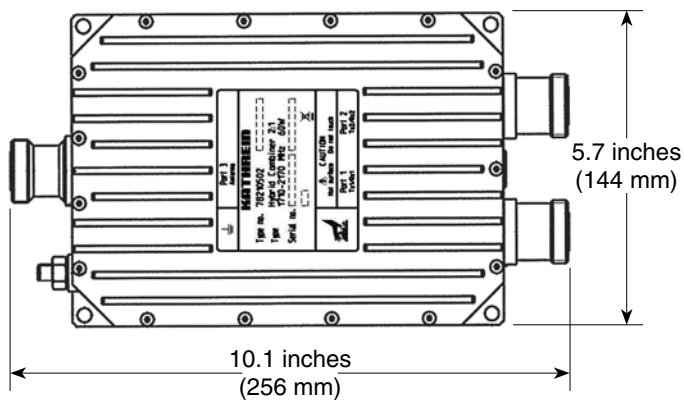
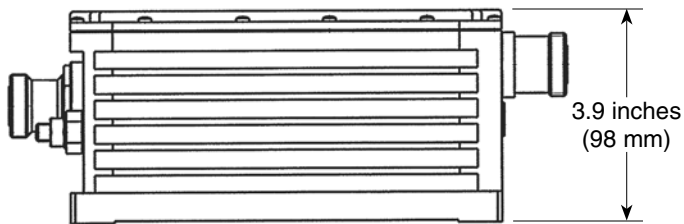
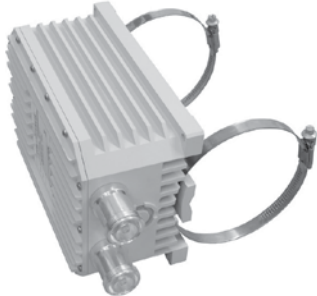
Model	Description
2 x 131 1487	Mounting Kit for 2 to 5.7 inch (50 to 145 mm) OD mast.



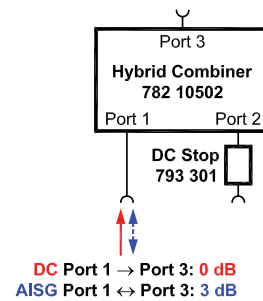
11067-A
936.3197/b

Mast mounting with 2 x 131 1487 clamp set

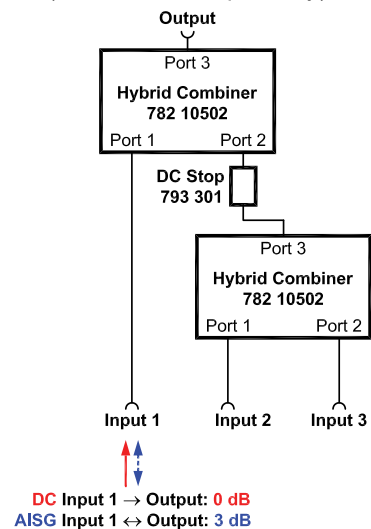
- ① Clamps inserted into slots at rear side of the Hybrid Combiner
- ② Side view of a mast mounted Hybrid Combiner



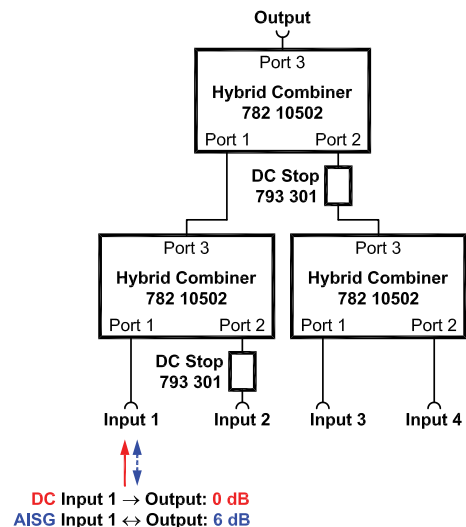
Configuration Example: Hybrid Combiner 2:1
(DC/AISG transparency)



Configuration Example: Hybrid Combiner 3:1
(DC/AISG transparency)



Configuration Example: Hybrid Combiner 4:1
(DC/AISG transparency)



All specifications are subject to change without notice. The latest specifications are available at www.kathrein-scala.com.